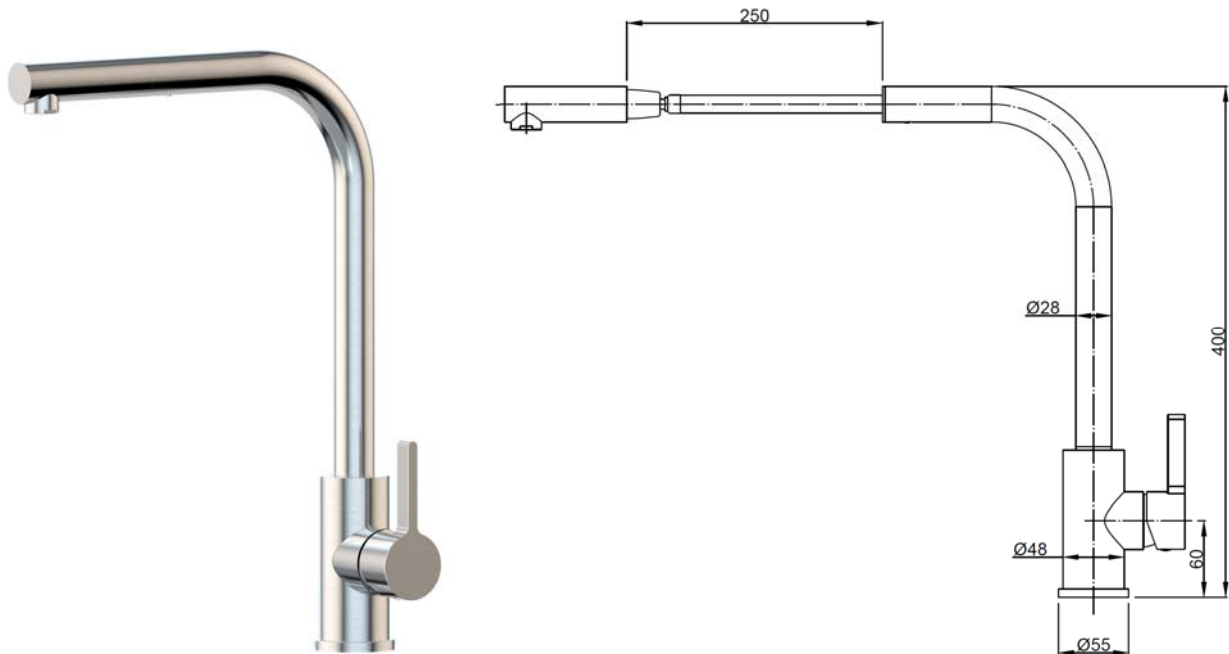


**XCLAIMER** — XFIT910RKM / XFIT910RKM\_CP / XFIT910RKM\_PS  
 XFIT910RKM\_BC /XFIT910RKM\_BP / XFIT910RKM\_GM / XFIT910RKM\_RG



Note: Drawings are not to scale and are for reference only. Specifications and sizes can be changed by the manufacturer without notice. Refer to physical unit prior to installation.

**Product Specifications**

Base Material	Stainless Steel
Finish	Satin / Chrome Plated /Polished / Black & Bling / Gun Metal / Rose Gold
Installation	Xpressfit Top Mount
Height	400mm
Projection	244.5mm
Pull Out Features	High flow nozzle 250mm pull out length (excl. nozzle)
WELS Rating	3 star water efficiency, 9.0L per minute
Cartridge Size	35mm
Warranty	2 years parts and labour, 15 years replacement on cartridge and PEX inlet hoses